



GENUINE PARTS

INSTALLATION INSTRUCTIONS

1. **DESCRIPTION:** Cargo Organizer

2. **APPLICATION:** 370Z

3. **PART NUMBER:** 999C2 ZV000

4. **KIT CONTENTS:**

Item	QTY	Description
A	1	Cargo Organizer, Main Piece
B	2	Floor Supports
C	2	Dividers

5. **TOOLS REQUIRED:**

- None Necessary

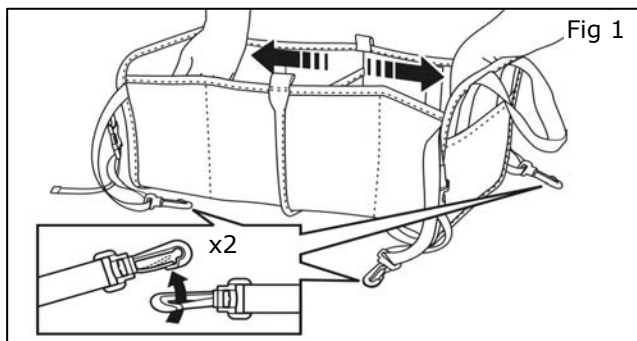
6. **PRE-INSTALLATION CAUTIONS/NOTES:**

- The area to be covered by the cargo organizer must be free of dirt. The underside surface of the cargo organizer must be clean.
- Both the cargo area and cargo organizer must be completely dry. If cargo organizer gets wet, remove and allow to dry completely.
- Manufacturer will not be responsible for damage to product due to accident or misuse.

CARE OF CARGO ORGANIZER :

- Hand clean cargo organizer using mild soap, rinse thoroughly with clean water and line dry completely. Do not machine dry!

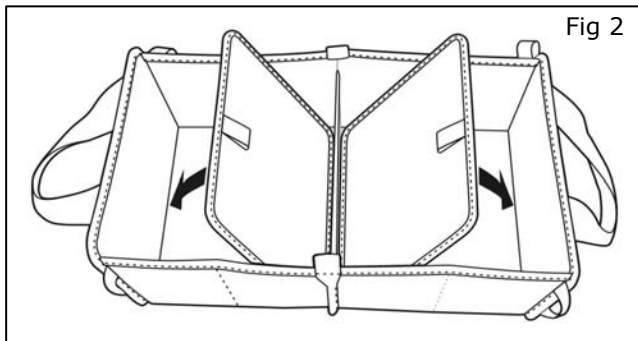
7. **INSTALLATION PROCEDURE:**



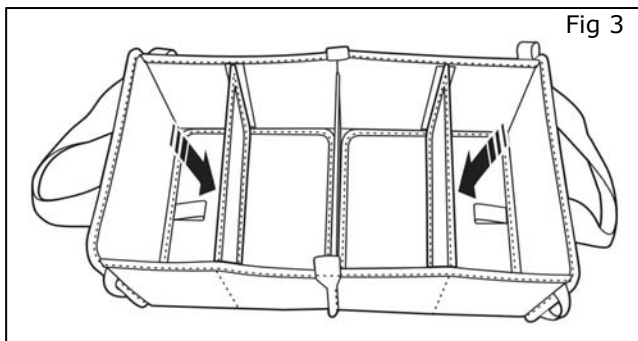
- 1) Expand cargo organizer.
 - a) On sides of organizer, separate snap hooks from each other by pressing in snap tab while unhooking.
 - b) From inside of organizer compartments, press outward to fully expand organizer.

INSTALLATION INSTRUCTIONS - Cargo Organizer

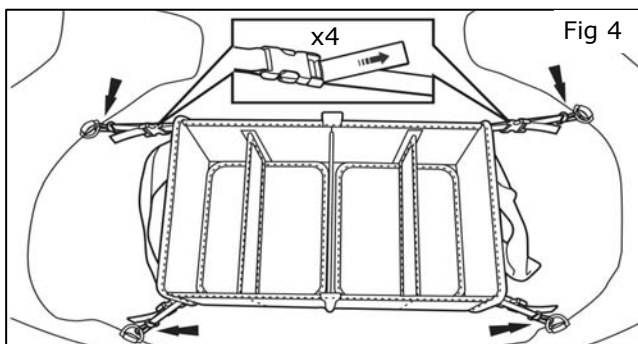
7. INSTALLATION PROCEDURE:



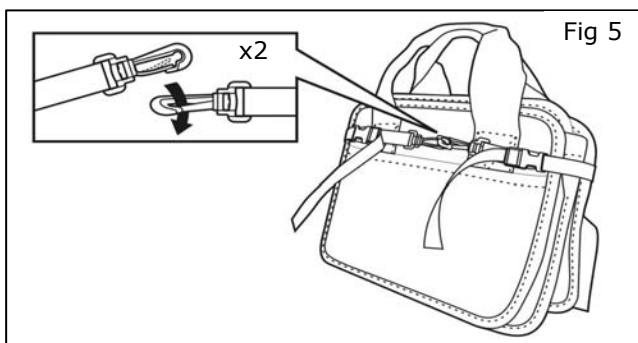
- 2) Install floor reinforcements.
 - a) With reinforcement loops positioned on top and towards the outside, insert floor reinforcements into bottom of organizer compartments.



- 3) Install optional dividers (if desired).
 - a) Attach optional dividers to velcro strips on inside walls of organizer, if smaller compartments are desired.



- 4) Install organizer in vehicle .
 - a) Place organizer in cargo area of vehicle.
 - b) Attach snap hooks to cargo loops on each side of cargo compartment and gently tighten straps, by pulling on loose ends, to secure organizer in center of cargo area.
 - c) Organizer and contained cargo may be quickly removed by separating securing strap quick release clips from receptacles.



- 5) Storage
 - a) Reverse installation procedure to uninstall organizer.
 - b) Ensure that organizer is clean and dry before storage.
 - c) Collapse organizer and secure by wrapping straps around organizer and attaching snap hooks to each other.